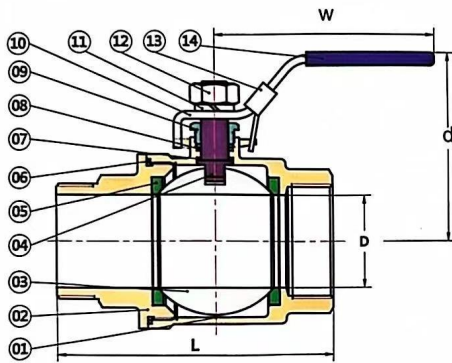


## 2PC BALL VALVE THREAD END (FEMALE-MALE) 二片式内外螺纹球阀

- 防爆阀杆/全通径BLOW-OUT PROOF STEM/FULL PORT
- 适用温度范围TEMPERATURE RANGE:-20 to 280°C
- 使用压力PRESSURE:PN63/1000WOG
- 适用介质APPLICABLE MEDIA:水WATER、气GAS、油OIL
- 设计制造DESIGN:GB/T-12224/ANSI B16.34
- 螺纹标准THREAD:BSPT/BSP/NPT/DIN/JIS/RC/G
- 检查与测试TEST:GB/T-13927/API598
- 气压测试AIR TEST:0.8MPA



### 材质清单 MATERIALS LIST

NO.	零件名称 PART NAME	材质 MATERIALS LIST		
1	阀体 BODY	CF8M	CF8	WCB
2	阀盖 END CAP	CF8M	CF8	WCB
3	球 BALL	SS316	SS304	SS304
4	阀杆 STEM	SS316	SS304	SS304
5	阀座 SEAL	RTFE	RTFE	RTFE
6	线条 BODY SEAL	PTFE	PTFE	PTFE
7	杆密封 THRUST WASHER	PTFE	PTFE	PTFE
8	中头垫 STEM PACKING	PTFE	PTFE	PTFE
9	填料压套 GLAND	SS304	SS304	SS304
10	手柄 HANDLE	SS304	SS304	SS304
11	弹垫 STUD	A193 Gr.B8	A193 Gr.B8	A193 Gr.B8
12	螺帽 NUT	A194.Gr.8	A194.Gr.8	A194.Gr.8
13	锁片 LOCKING PAD	SS304	SS304	SS304
14	胶套 HANDLE COVER	PLASTIC	PLASTIC	PLASTIC

### 外形尺寸 OUTER SIZE

Unit:mm

SIZE	d	L	W	H
1/4"	8	75	95	52
3/8"	10	75	95	52
1/2"	15	75	105	55
3/4"	20	85	128	59
1"	25	95	145	66
1-1/4"	32	115	145	70
1-1/2"	40	130	160	82
2"	50	155	190	90