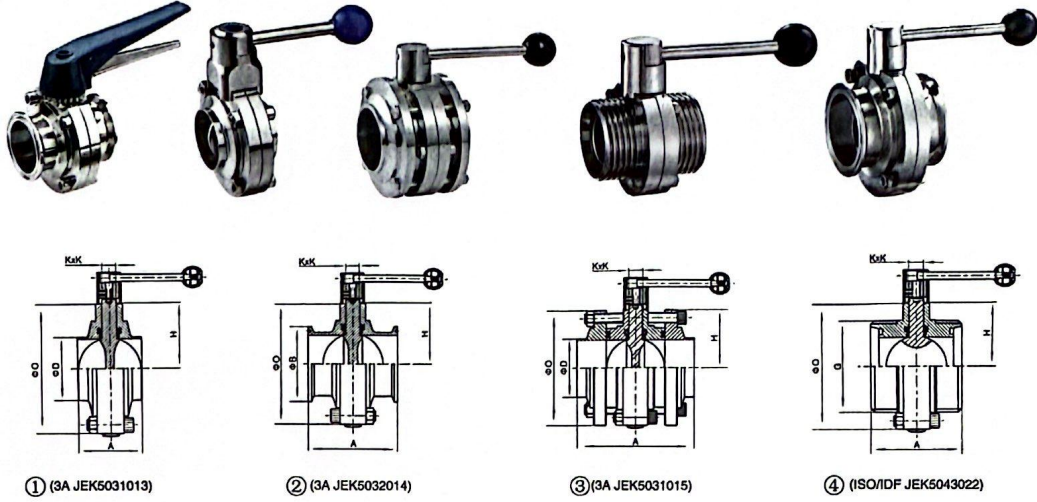


# SANITARY BUTTERFLY VALVE SERIES

卫生级蝶阀系列



① 焊接式蝶阀 Welded butterfly valve

Size	O	D	KxK	A	H
1/2"	78.0	12.7	8.0x8.0	50.0	39.0
3/4"	78.0	19.1	8.0x8.0	50.0	39.0
1"	78.0	25.4	8.0x8.0	50.0	39.0
1 1/2"	86.0	38.1	8.0x8.0	50.0	43.0
2"	102.0	50.8	10.0x10.0	52.0	51.0
2 1/2"	115.0	63.5	10.0x10.0	56.0	57.5
3"	128.0	76.2	10.0x10.0	56.0	64.0
4"	154.0	101.6	11.0x11.0	64.0	77.0
6"	215.0	152.4	11.0x11.0	90.0	107.5
8"	285.0	203.2	14.0x14.0	90.0	142.5

② 卡箍式蝶阀 Clamped butterfly Valve

Size	O	B	KxK	A	H
1/2"	78.0	25.4	8.0x8.0	66.0	39.0
3/4"	78.0	25.4	8.0x8.0	66.0	39.0
1"	78.0	50.5	8.0x8.0	66.0	39.0
1 1/2"	86.0	50.5	8.0x8.0	70.0	43.0
2"	102.0	64.0	10.0x10.0	76.0	51.0
2 1/2"	115.0	77.5	10.0x10.0	80.0	57.5
3"	128.0	91.0	10.0x10.0	84.0	64.0
4"	154.0	119.0	10.0x10.0	106.0	77.0
5"	185.0	145.0	11.0x11.0	136.0	92.5
6"	215.0	167.0	11.0x11.0	146.0	107.5
8"	285.0	217.0	14.0x14.0	166.0	142.5

③ 三片式蝶阀 Three-piece butterfly valve

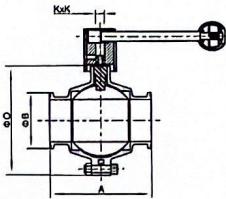
Size	O	D	KxK	A	H
1/2"	78.0	12.7	8.0x8.0	100.0	39.0
3/4"	78.0	19.1	8.0x8.0	100.0	39.0
1"	78.0	25.4	8.0x8.0	100.0	39.0
1 1/2"	86.0	38.1	8.0x8.0	104.0	43.0
2"	102.0	50.8	10.0x10.0	104.0	51.0
2 1/2"	115.0	63.5	10.0x10.0	112.0	57.5
3"	128.0	76.2	10.0x10.0	112.0	64.0
4"	154.0	101.6	11.0x11.0	128.0	77.0
6"	215.0	152.4	11.0x11.0	180.0	107.5
8"	285.0	203.2	14.0x14.0	180.0	142.5

④ 螺纹式蝶阀 Threaded butterfly valve

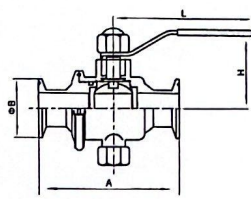
Size	O	G	KxK	A	H
1"	78.0	37.1x8TACHE	8.0x8.0	66.0	39.0
1 1/2"	86.0	50.6x8TACHE	8.0x8.0	70.0	43.0
2"	102.0	64.2x8TACHE	10.0x10.0	76.0	51.0
2 1/2"	115.0	77.7x8TACHE	10.0x10.0	80.0	57.5
3"	128.0	91.2x8TACHE	10.0x10.0	84.0	64.0
4"	154.0	118.4x8TACHE	11.0x11.0	104.0	77.0
4"	158.0	125.9x6TACHE	11.0x11.0	104.0	77.0

# SANITARY BALL VALVE SERIES

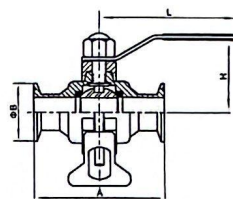
卫生级球阀系列



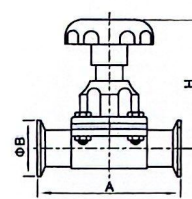
① (ISO/IDF JEK8042007)



② (SMS/3A/ISO JEK8092008)



③ (SMS/3A/ISO JEK8092009)



④ (ISO/IDF JEK7042010)

① 卡箍式隔膜阀 Clamped diaphragm valve

Size	A	B	H
3/4"	116.0	25.4	88/99
1"	125.0	25.4	110/123
1 1/4"	146.0	50.5	129/138
1 1/2"	158.0	50.5	139/159
2"	190.0	64.0	159/186

② 卡箍蝶式球阀 Clamped butterfly-type ball valve

Size	A	O	B	KxK
1"	91.0	85.0	50.5	8x8
1 1/4"	95.0	90.0	50.5	8x8
1 1/2"	95.0	102.0	50.5	11x11
1"	119.0	124.0	64.0	11x11
2 1/2"	如需其它规格详尽数据请与本公司联系。 If need other detailed datas, please contact us.			
3"				
4"				

③ 卡箍式无滞留球阀 Clamped non-retention ball valve

Size	A	B	H	L	
3/4"	19	105.0	25.4	55.0	125.0
1"	25	125.0	50.5	55.0	140.0
1 1/4"	32	120.0	50.5	65.0	150.0
1 1/2"	38	140.0	50.5	65.0	180.0
2"	51	159.0	64.0	85.0	180.0
2 1/2"	63	180.0	77.5	100.0	200.0

④ 卡箍式无滞留球阀 Clamped non-retention ball valve

Size	A	B	H	L	
3/4"	19	90.0	25.4	65.0	105.0
1"	25	110.0	50.5	70.0	105.0
1 1/4"	32	120.0	50.5	80.0	130.0
1 1/2"	38	140.0	50.5	80.0	150.0
2"	51	164.0	64.0	85.0	160.0
2 1/4"	57	170.0	77.5	110.0	180.0
2 1/2"	63	180.0	77.5	110.0	180.0