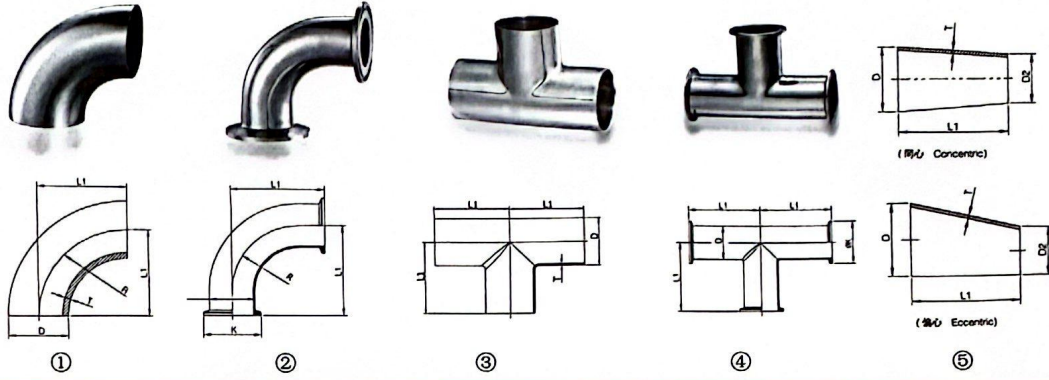


# SANITARY FITTINGS SERIES

卫生级管件系列



① 90°焊接式弯头  
90°Welded Elbow No.YY0111001

| Size  | L1    | D     | R     | T   |
|-------|-------|-------|-------|-----|
| DN10  | 19.5  | 12.0  | 26.0  | 1.5 |
| DN15  | 35.0  | 18.0  | 35.0  | 1.5 |
| DN20  | 31.0  | 22.0  | 40.0  | 1.5 |
| DN25  | 37.0  | 28.0  | 50.0  | 1.5 |
| DN32  | 42.0  | 34.0  | 55.0  | 1.5 |
| DN40  | 50.0  | 40.0  | 60.0  | 1.5 |
| DN50  | 64.0  | 52.0  | 70.0  | 1.5 |
| DN65  | 80.0  | 70.0  | 80.0  | 2.0 |
| DN80  | 90.0  | 85.0  | 90.0  | 2.0 |
| DN100 | 100.0 | 104.0 | 100.0 | 2.0 |
| DN125 | 180.5 | 129.0 | 187.0 | 2.0 |
| DN150 | 205.0 | 154.0 | 225.0 | 2.0 |

② 90°夹式弯头  
90°Clamped Elbow No.YY0112003

| Size  | L1    | K     | D     | R     |
|-------|-------|-------|-------|-------|
| DN15  | 53.0  | 34.0  | 18.0  | 35.0  |
| DN20  | 58.0  | 34.0  | 22.0  | 40.0  |
| DN25  | 71.0  | 50.5  | 23.0  | 50.0  |
| DN32  | 76.0  | 50.5  | 34.0  | 55.0  |
| DN40  | 81.0  | 50.5  | 40.0  | 60.0  |
| DN50  | 91.0  | 64.0  | 52.0  | 70.0  |
| DN65  | 101.0 | 91.0  | 70.0  | 80.0  |
| DN80  | 111.0 | 106.0 | 85.0  | 90.0  |
| DN100 | 121.0 | 119.0 | 104.0 | 100.0 |

③ 焊接式三通  
Welded Tee No.YY0311007

| Size  | L1    | D     | T   |
|-------|-------|-------|-----|
| DN10  | 26.0  | 12.0  | 1.5 |
| DN15  | 35.0  | 18.0  | 1.5 |
| DN20  | 31.0  | 22.0  | 1.5 |
| DN25  | 37.0  | 28.0  | 1.5 |
| DN32  | 42.0  | 34.0  | 1.5 |
| DN40  | 58.0  | 40.0  | 1.5 |
| DN50  | 69.0  | 52.0  | 1.5 |
| DN65  | 72.5  | 70.0  | 2.0 |
| DN80  | 82.5  | 85.0  | 2.0 |
| DN100 | 100.0 | 104.0 | 2.0 |
| DN125 | 120.0 | 129.0 | 2.0 |
| DN150 | 137.0 | 154.0 | 2.0 |

④ 夹式三通  
Clamped Tee No.YY0312008

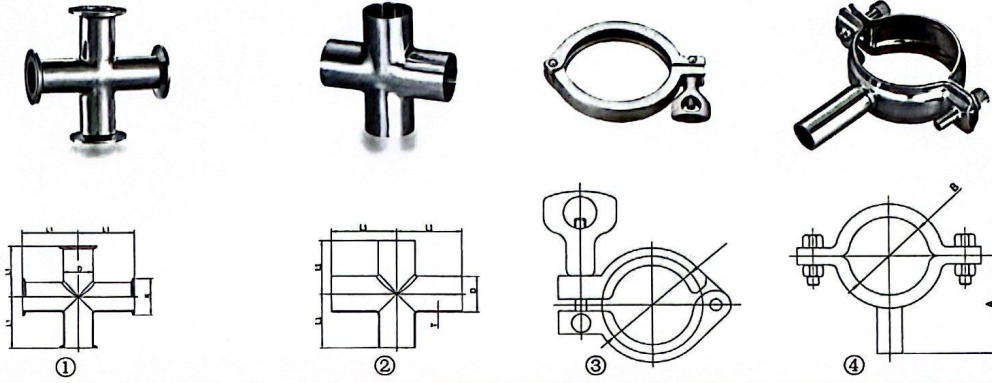
| Size  | L1    | K     | D     |
|-------|-------|-------|-------|
| DN15  | 53.0  | 34.0  | 18.0  |
| DN20  | 58.0  | 34.0  | 22.0  |
| DN25  | 71.0  | 50.5  | 23.0  |
| DN32  | 76.0  | 50.5  | 34.0  |
| DN40  | 81.0  | 50.5  | 40.0  |
| DN50  | 91.0  | 64.0  | 52.0  |
| DN65  | 101.0 | 91.0  | 70.0  |
| DN80  | 111.0 | 106.0 | 85.0  |
| DN100 | 121.0 | 119.0 | 104.0 |

⑤ 焊接式大小头  
Welded Reducer No.YY0411012

| Size     | L1   | D     | D2   | T      |
|----------|------|-------|------|--------|
| DN20/15  | 7.0  | 22.0  | 18.0 | 1.5X15 |
| DN25/20  | 11.0 | 28.0  | 22.0 | 1.5X15 |
| DN32/20  | 22.0 | 34.0  | 22.0 | 1.5X15 |
| DN32/25  | 11.0 | 34.0  | 28.0 | 1.5X15 |
| DN40/20  | 33.0 | 40.0  | 22.0 | 1.5X15 |
| DN40/25  | 22.0 | 40.0  | 28.0 | 1.5X15 |
| DN40/32  | 11.0 | 40.0  | 34.0 | 1.5X15 |
| DN50/25  | 44.0 | 52.0  | 28.0 | 1.5X15 |
| DN50/32  | 33.0 | 52.0  | 34.0 | 1.5X15 |
| DN50/40  | 22.0 | 52.0  | 40.0 | 1.5X15 |
| DN65/25  | 73.0 | 70.0  | 28.0 | 2.0X15 |
| DN65/32  | 62.0 | 70.0  | 34.0 | 2.0X15 |
| DN65/40  | 51.0 | 70.0  | 40.0 | 2.0X15 |
| DN65/50  | 29.0 | 70.0  | 52.0 | 2.0X15 |
| DN80/40  | 78.0 | 85.0  | 40.0 | 2.0X15 |
| DN85/50  | 56.0 | 85.0  | 52.0 | 2.0X15 |
| DN80/65  | 27.0 | 85.0  | 70.0 | 2.0X15 |
| DN100/50 | 90.0 | 104.0 | 52.0 | 2.0X15 |
| DN100/65 | 61.0 | 104.0 | 70.0 | 2.0X15 |
| DN100/80 | 34.0 | 104.0 | 85.0 | 2.0X15 |

## SANITARY FITTINGS SERIES

卫生级管件系列



① 长型夹式四通  
Long-type

No.YY0321028

| Size   | L1    | K     | D     |
|--------|-------|-------|-------|
| 1"     | 60.3  | 50.5  | 25.4  |
| 1 1/4" | 60.4  | 50.5  | 31.8  |
| 1 1/2" | 69.9  | 50.5  | 38.1  |
| 2"     | 88.9  | 64.0  | 50.8  |
| 2 1/2" | 88.9  | 77.5  | 63.5  |
| 3"     | 95.3  | 91.0  | 76.2  |
| 4"     | 114.3 | 119.0 | 101.6 |

② 长型夹式四通  
Long-type Clamped Cross

No.YY0321029

| Size   | L1   | D     | T    |
|--------|------|-------|------|
| 1"     | 47.6 | 25.4  | 1.65 |
| 1 1/4" | 47.7 | 31.8  | 1.65 |
| 1 1/2" | 57.2 | 38.1  | 1.65 |
| 2"     | 76.2 | 50.8  | 1.65 |
| 2 1/2" | 76.2 | 63.5  | 1.65 |
| 3"     | 82.6 | 76.2  | 1.65 |
| 4"     | 98.4 | 101.6 | 2.1  |

③ 卡箍  
Clamp

No.YY0414077

| Size  | B     |
|-------|-------|
| DN10  | 37.0  |
| DN15  | 37.0  |
| DN20  | 37.0  |
| DN25  | 53.0  |
| DN32  | 53.0  |
| DN40  | 53.0  |
| DN50  | 67.0  |
| DN65  | 94.0  |
| DN80  | 109.0 |
| DN100 | 122.0 |

④ 管支架  
Pipe Holder

No.YY0414081

| Size   | A     | B     |
|--------|-------|-------|
| 1/2"   | 61.0  | 25.4  |
| 1 1/4" | 64.0  | 31.8  |
| 1 1/2" | 67.0  | 38.1  |
| 2"     | 74.0  | 50.8  |
| 2 1/2" | 80.0  | 63.5  |
| 3"     | 86.0  | 76.2  |
| 3 1/2" | 93.0  | 89.0  |
| 4"     | 100.0 | 101.6 |
| 4 1/4" | 102.0 | 108.0 |
| 4 1/2" | 105.0 | 114.0 |
| 5"     | 115.0 | 133.0 |
| 6"     | 128.0 | 159.0 |