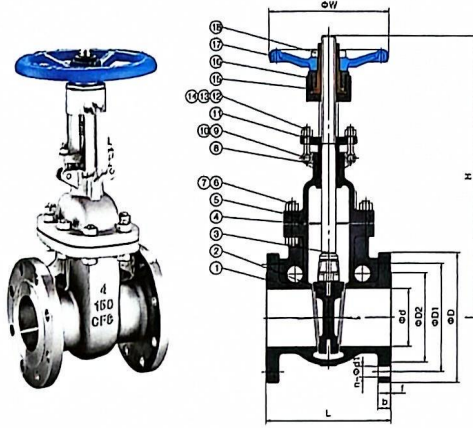


# GATE VALVE FLANGE END ANSI CLASS 150/300

美标法兰闸阀



### 特点 Features

- 1/2"~12" (DN15~DN300)
- 工作压力 W.P.: CLASS 150 / 300
- 工作温度 W.T.: -425°C
- 升杆式/明杆 Rising stem
- 设计标准 Design: ASME B16.34, API600, API603
- 法兰标准 Flange dimension: ASME B16.5
- 结构长度 Face to face: ASME B16.10
- 检验 & 测试 Inspection & testing: API600/API603/ASME16.34

### 材料表 Material List

序号No.	零件 PARTS	材料 MATERIAL		
		WCB+13Cr	CF8	CF8M
1	阀体 BODY	WCB+13Cr	CF8	CF8M
2	阀瓣 DISC	WCB+13Cr	CF8	CF8M
3	阀杆 STEM	20Cr13	304	316
4	垫片 GASKET	PTFE/304+GRAPHITE		
5	阀盖 BONNET	WCB	CF8	CF8M
6	螺栓 BOLT	35CrMo	304	304
7	螺母 NUT	45	304	304
8	填料 PACKING	PTFE/FLEXIBLE GRAPHITE		
9	CLEVIS PIN WITH HEAD	35	304	304
10	SPLIT PIN	Q235A	304	304
11	填料盖 GLAND	WCB	CF8	CF8
12	EYE BOLTS	35CrMo	304	304
13	平板 FLAT PAD	65Mn	304	304
14	螺母 NUT	45	304	304
15	阀杆螺母 STEM NUT	BRONZE		
16	阀盖螺母 BONNET NUT	45	304	304
17	手轮 HANDWHEEL	FCD/WCB		
18	ROUND NUT	45	304	304

### 尺寸 Dimensions CLASS 150

Unit: mm

Nominal	Diameter	L	d	D2	D1	D	b	f	n-φd1	H	W
15	1/2"	108	15	35	60.3	90	8	2	4-16	178	120
20	3/4"	117	20	43	70	100	8.9	2	4-16	194	120
25	1"	127	25	51	79.4	110	9.6	2	4-16	223	140
32	1-1/4"	140	32	63.5	88.9	115	11.2	2	4-16	266	160
40	1-1/2"	165	40	73	98.4	125	12.7	2	4-16	295	160
50	2"	178	50	92	120.7	150	14.3	2	4-19	336	200
65	2-1/2"	190	65	105	139.7	180	15.9	2	4-19	385	200
80	3"	203	80	127	152.4	190	17.5	2	4-19	433	250
100	4"	229	100	157	190.5	230	22.3	2	8-19	506	300
125	5"	254	125	185	216	255	22.3	2	8-22	612	300
150	6"	267	150	216	241.3	280	23.9	2	8-22	686	350
200	8"	292	200	270	298.5	345	27	2	8-22	825	350
250	10"	330	250	324	362	405	28.6	2	12-25	972	400
300	12"	356	300	381	431.8	485	30.2	2	12-25	1147	450

### 尺寸 Dimensions CLASS 300

Unit: mm

Nominal	Diameter	L	d	D2	D1	D	b	f	n-φd1	H	W
15	1/2"	140	15	35	66.7	95	12.7	2	4-16	182	120
20	3/4"	152	20	43	82.6	115	14.3	2	4-19	197	140
25	1"	165	25	51	88.9	125	15.9	2	4-19	229	160
32	1-1/4"	178	32	63.5	98.4	135	17.5	2	4-19	271	160
40	1-1/2"	190	40	73	114.3	155	19.1	2	4-22	299	200
50	2"	216	50	92	127	165	20.7	2	8-19	343	200
65	2-1/2"	241	65	105	149.2	190	23.9	2	8-22	392	250
80	3"	282	80	127	168.3	210	27	2	8-22	443	300
100	4"	305	100	157	200	255	30.2	2	8-22	515	300
125	5"	381	125	185	235	280	33.4	2	8-22	624	350
150	6"	403	150	216	270	320	35	2	12-22	695	350
200	8"	419	200	270	330.2	380	39.7	2	12-25	842	400
250	10"	457	250	324	387.4	445	46.1	2	16-29	989	450
300	12"	502	300	381	450.8	520	49.3	2	16-32	1158	500